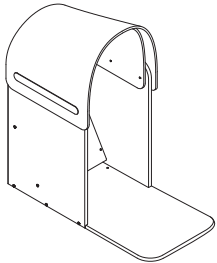


Supplied Components:



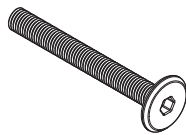
x1 Hideaway Hut



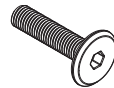
x10 Cross Dowel



x2 Short Fixing Bar



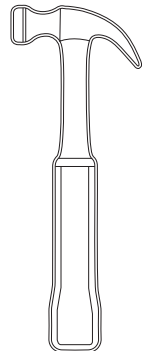
x10 45mm Bolt



x6 20mm Bolt

Tools required:

- Flat head screwdriver
- Hex head driver/alan key
- Hammer/mallet



Before Starting:

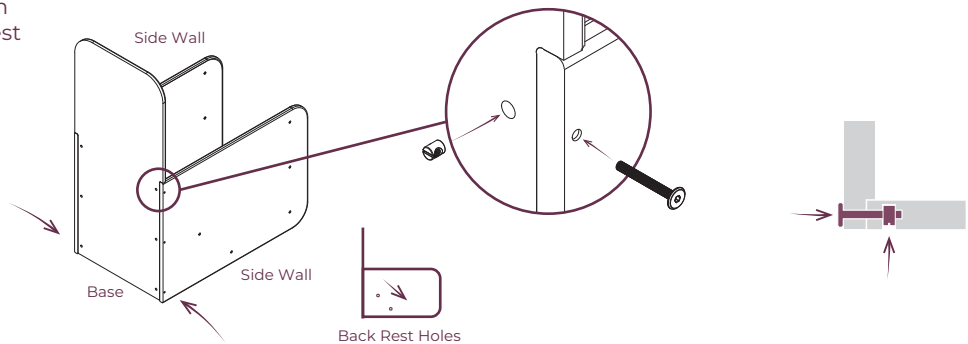
- Insert all cross dowels into machined holes (using hammer if required)
- Using a screwdriver align cross dowels in center of hole
- Partially thread screws into cross dowel to check these are aligned

Assembly instructions:

- 1 Rotate base panel to be upright. Align side walls with base panel ensuring back rest fastening holes are in the correct position.

Fix both sides to base using:

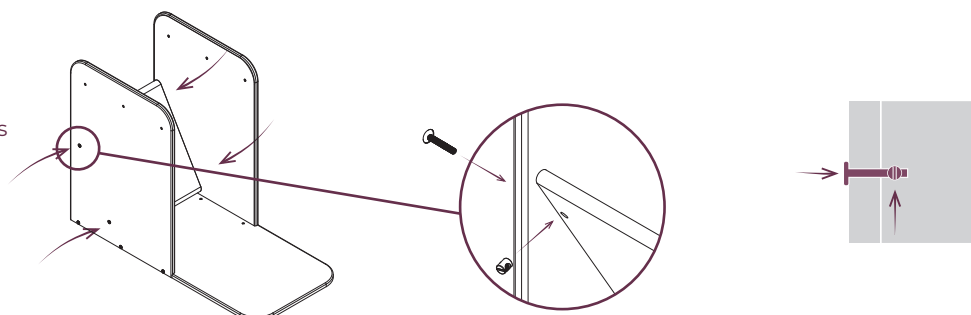
x6 cross dowels
x6 45mm bolts



- 2 Rotate base panel to be flat to the ground. Position back rest in line with the fixing holes on the side walls.

Fasten from both side walls using:

x4 cross dowels
x4 45mm Bolts

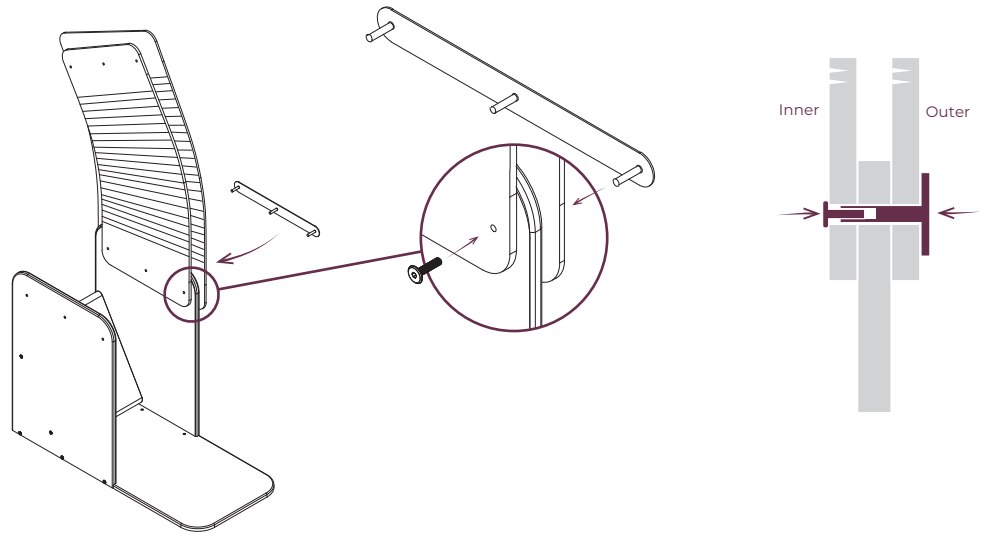


Hideaway Hood **SMALL**

3 Position larger roof on the outer and the smaller roof on the inner side of the wall. Ensure grooves are facing inwards.

Slide the fixing bar through the fixing holes.

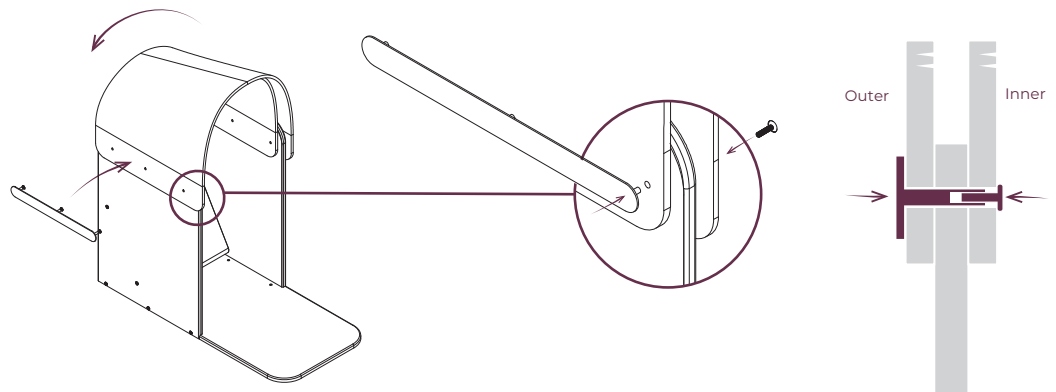
Secure using:
x3 20mm bolts



4 Fold the Inner and Outer roof over & position either side of the wall.

Slide the fixing bar through the fixing holes.

Secure using:
x3 20mm bolts



5 Slide seat against the back rest inside the hood.

Assembly is complete.

