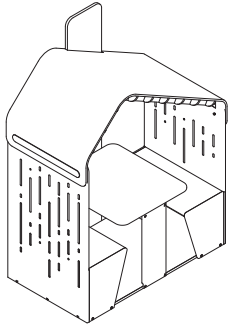


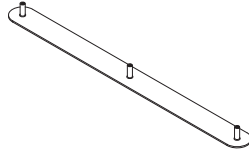
Supplied Components:



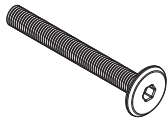
x1 Learning Hut



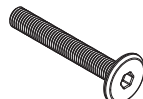
x18 Cross Dowel



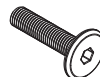
x2 Long Fixing Bar



x22 45mm Bolt



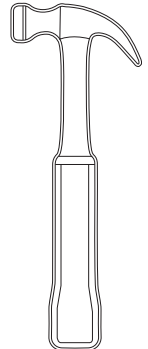
x10 32mm Bolt



x12 20mm Bolt

Tools required:

- Flat head screwdriver
- Hex head driver/alan key
- Hammer/mallet



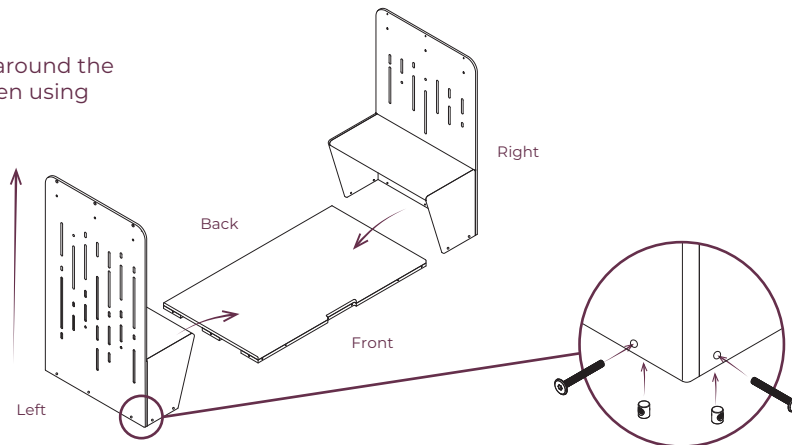
Before Starting:

- Insert all cross dowels into machined holes (using hammer if required)
- Using a screwdriver align cross dowels in center of hole
- Partially thread screws into cross dowel to check these are aligned

Assembly instructions:

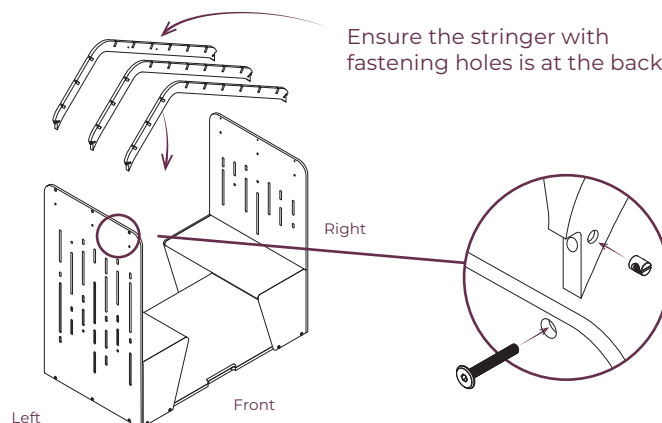
- 1** Slide the seat & side around the end of the base. Fasten using x14 cross dowels & x14 45mm bolts.

Ensure the tall side is on the Left.

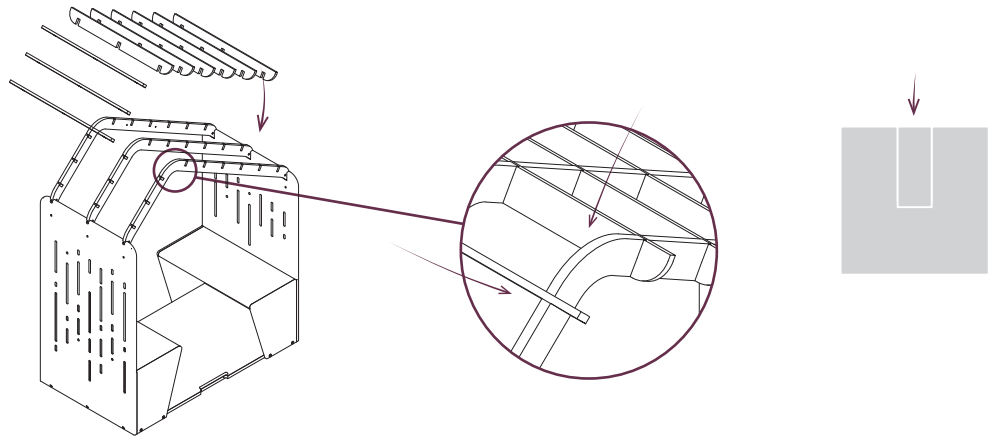


- 2** Position stringers with the short side to the left. Fix stringers to sides using x6 cross dowels & x6 32mm bolts.

Ensure the stringer with fastening holes is at the back.

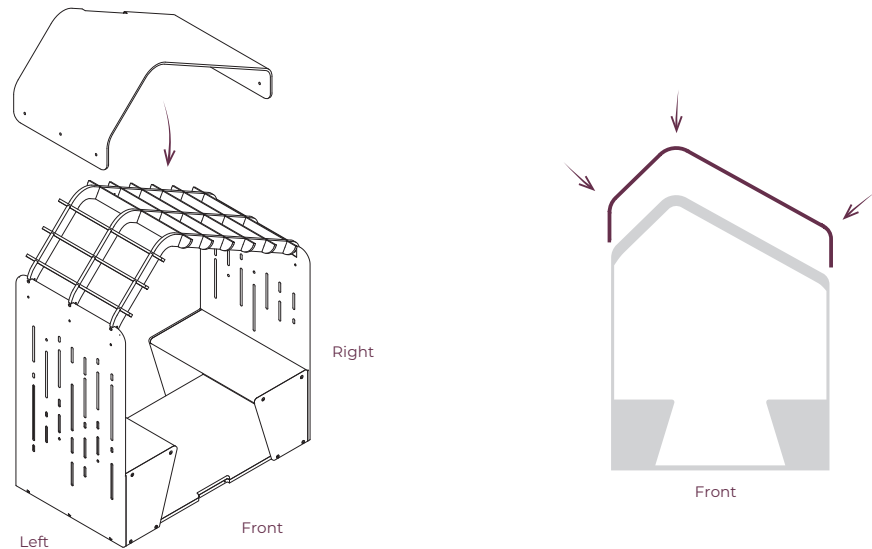


- 3** Slide each felt rafter into the slots in the timber stringers.

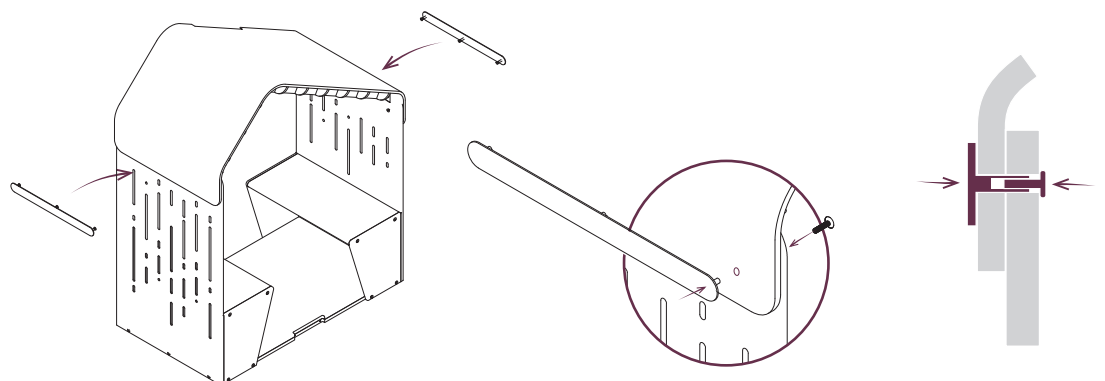


- 4** To position the roof, ensure the cut grooves are on the bottom and line up the corners with the stringer profile.

Short side on the left.

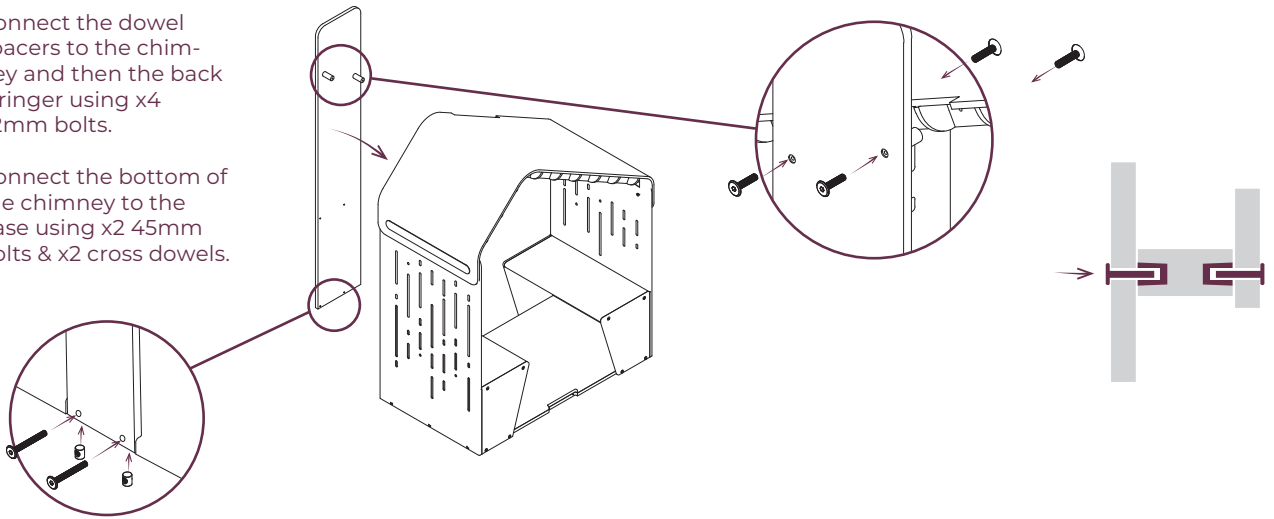


- 5** Push the fixing bars through the holes in the roof and sides. Fix in place using x6 20mm bolts.

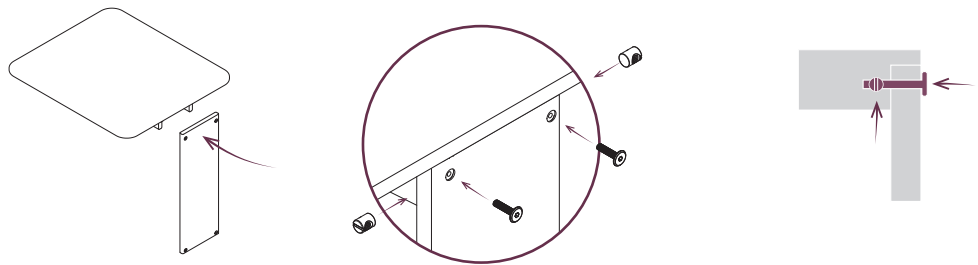


6 Connect the dowel spacers to the chimney and then the back stringer using x4 32mm bolts.

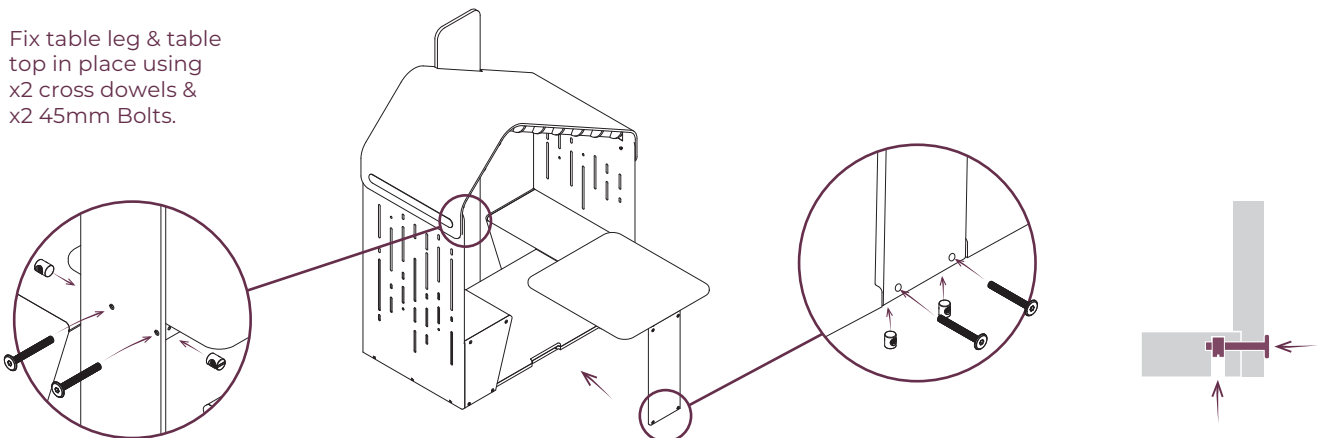
Connect the bottom of the chimney to the base using x2 45mm bolts & x2 cross dowels.



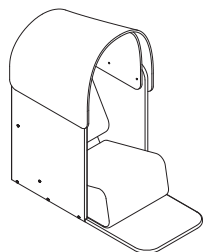
7 Fix table leg & table top in place using x2 cross dowels & x2 45mm Bolts.



8 Fix table leg & table top in place using x2 cross dowels & x2 45mm Bolts.



Supplied Components:



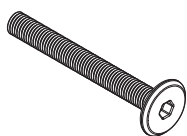
x1 Hideaway Hut



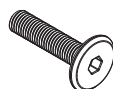
x10 Cross Dowel



x2 Long Fixing Bar



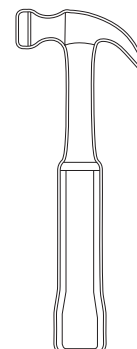
x18 45mm Bolt



x6 20mm Bolt

Tools required:

- Flat head screwdriver
- Hex head driver/alan key
- Hammer/mallet



Before Starting:

- Insert all cross dowels into machined holes (using hammer if required)
- Using a screwdriver align cross dowels in center of hole
- Partially thread screws into cross dowel to check these are aligned

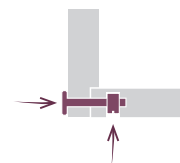
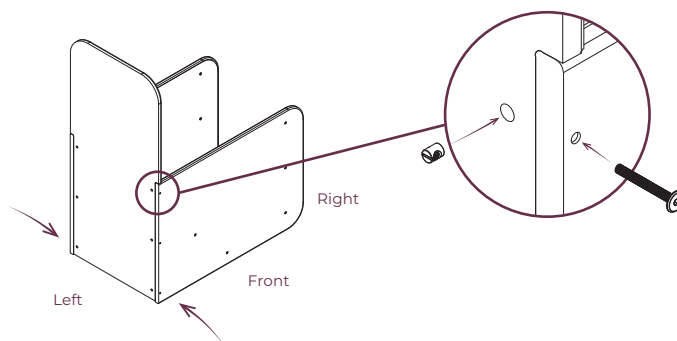
Assembly instructions:

1

Tip base on its end. Place sides with back rest fastening holes drawing a line to the right.

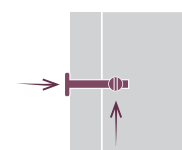
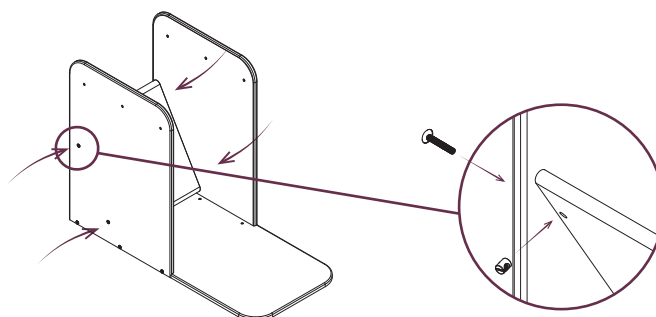


Fix sides to base using x6 cross dowels & x6 45mm bolts.



2

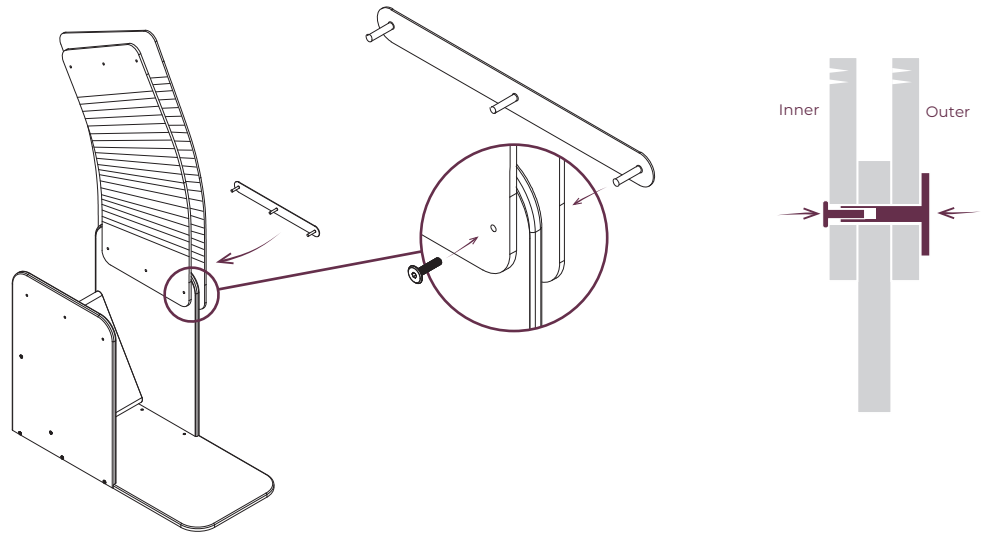
Position back in line with the fixing holes on the sides & fasten using x4 cross dowels & x4 45mm Bolts.



Hideaway Hood

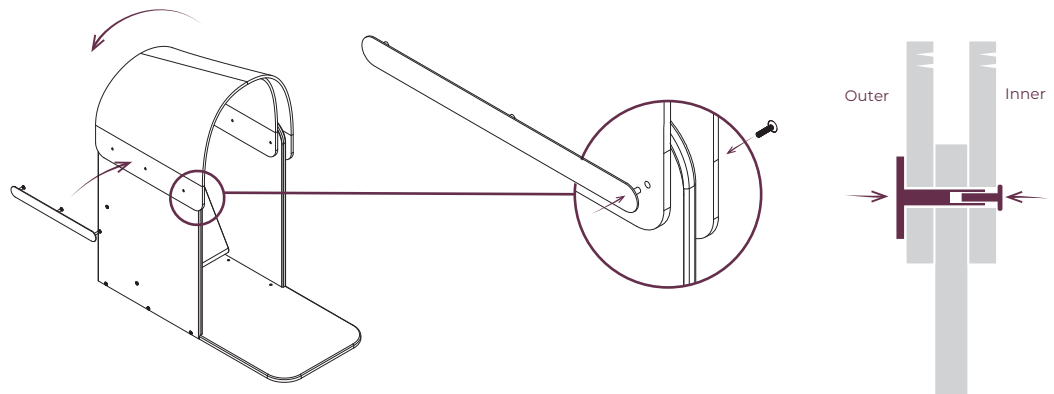
3 Position outer and inner roof either side of the wall with the grooves facing towards the middle.

Slide the fixing bar through the fixing holes & secure using x3 20mm bolts.

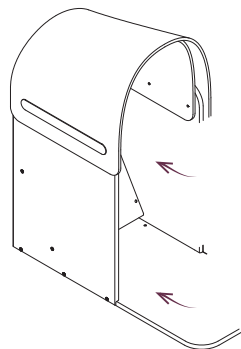


4 Fold the Inner and Outer roof over & position either side of the wall.

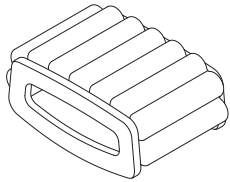
Slide the fixing bar through the fastening holes & secure using x3 20mm bolts.



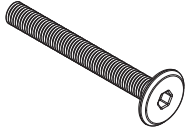
5 Slide seat into place inside the hood.



Supplied Components:



x1 Rocking Perch



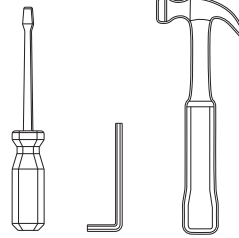
x10 45mm Bolt



x10 Cross Dowel

Tools required:

- Flat head screwdriver
- Hex head driver/alan key
- Hammer/mallet



Before Starting:

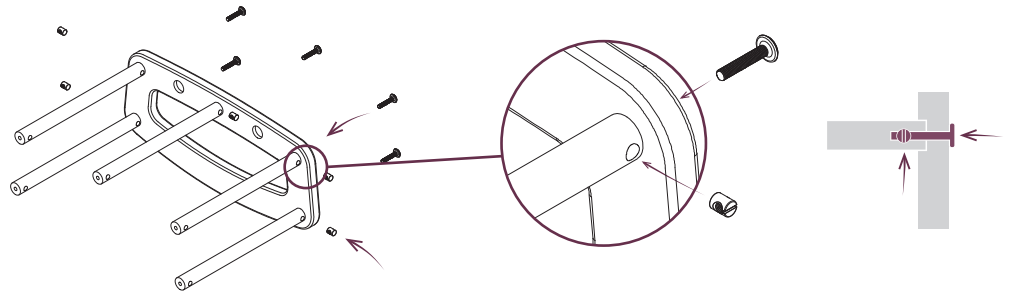
- Insert all cross dowels into machined holes (using hammer if required)
- Using a screwdriver align cross dowels in center of hole
- Partially thread screws into cross dowel to check these are aligned

Assembly instructions:

1

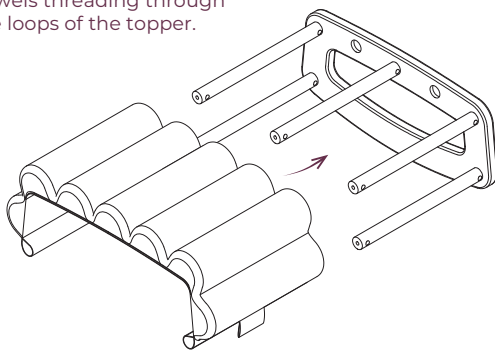
Insert the 5 dowels with the fixing holes into the positions in the side that have fixing holes.

Secure in place using x5 cross dowels & x5 32mm bolts.



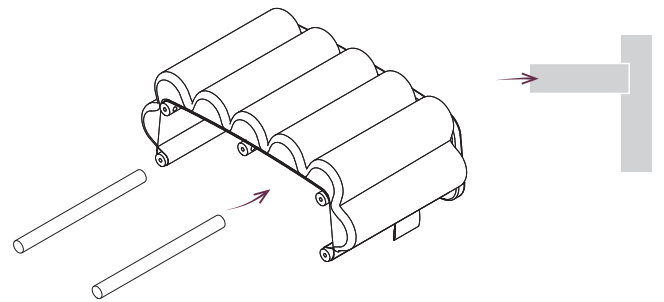
2

Slide Topper over the top 3 dowels with the bottom 2 dowels threading through the loops of the topper.



3

Insert remaining dowels into the 2 holes in the side underneath the topper.



4

Align the dowels into the spaces on the other side & secure in place using x5 cross dowels & x5 32mm bolts.

