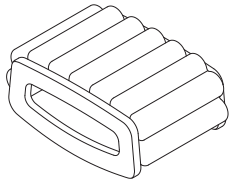
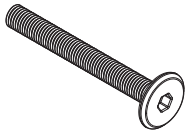


Supplied Components:



x1 Rocking Perch



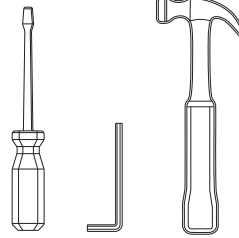
x10 45mm Bolt



x10 Cross Dowel

Tools required:

- Flat head screwdriver
- Hex head driver/alan key
- Hammer/mallet



Before Starting:

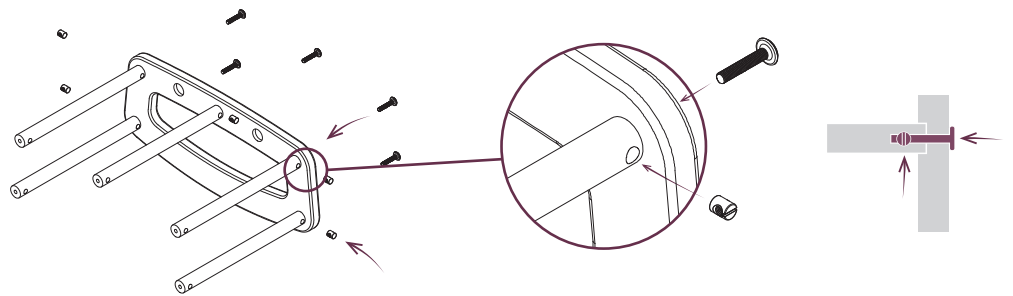
- Insert all cross dowels into machined holes (using hammer if required)
- Using a screwdriver align cross dowels in center of hole
- Partially thread screws into cross dowel to check these are aligned

Assembly instructions:

1

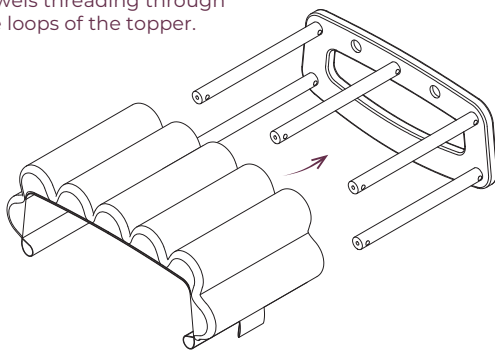
Insert the 5 dowels with the fixing holes into the positions in the side that have fixing holes.

Secure in place using x5 cross dowels & x5 32mm bolts.



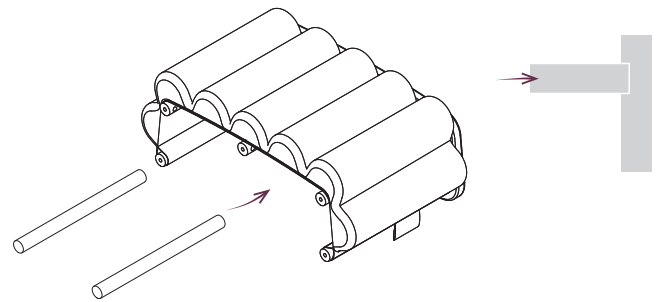
2

Slide Topper over the top 3 dowels with the bottom 2 dowels threading through the loops of the topper.



3

Insert remaining dowels into the 2 holes in the side underneath the topper.



4

Align the dowels into the spaces on the other side & secure in place using x5 cross dowels & x5 32mm bolts.

